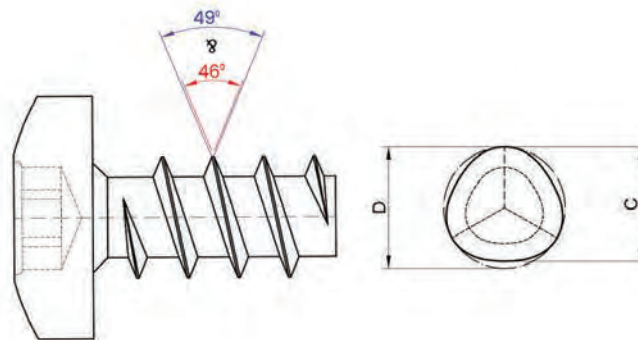


FIX-PLAS-T SCREW



FIX - PLAS-T screw is designed to facilitate thread-forming in less-compressible plastics while providing high resistance to strip-out and pull-out. The single-lead design and narrow helix angle lowers drive torque and failure torque in stiffer plastics.



FIX - PLAS-T thread profile allows threads to penetrate deeply into plastic material and generate strong mating threads which resist vibration loosening. The triroundular configuration allows displaced material to cold-flow back into relief areas.

FEATURES AND BENEFITS

- 46° or 49° thread profile
- Penetrates deeply into plastic material
- Reduces possibility of boss failure
- Increases product reliability
- Eliminates need for inserts and lock washers
- Minimizes radial stress
- Allows design of thinner bosses
- Resists vibration loosening
- Reduces probability of strip-out and pull-out
- Achieves wide differentials between drive and fail torque
- Creates less stress on the boss